

8335LSLTN Baseball Controller Plate

Scoreboard Type: 500

Power Supply Outputs:
POWER 1 (Quad):
 P1.1 ≈ 1.02A P1.2 ≈ 3.90A
 P1.3 ≈ 3.75A P1.4 ≈ 3.75A
POWER 2 (Quad):
 P2.1 ≈ 3.87A P2.2 ≈ 3.87A
 P2.3 ≈ 3.87A P2.4 ≈ 3.87A
POWER 3 (Quad):
 P3.1 ≈ 3.87A P3.2 ≈ 2.90A
 P3.3 ≈ 3.87A P3.4 ≈ 2.90A

"C" refers to controller board output. If Indicators are used, C4 data will go to the Indicator Driver Board and then to the digit(s).

OUTPUTS
 1. Home Team
 2. Guest Team

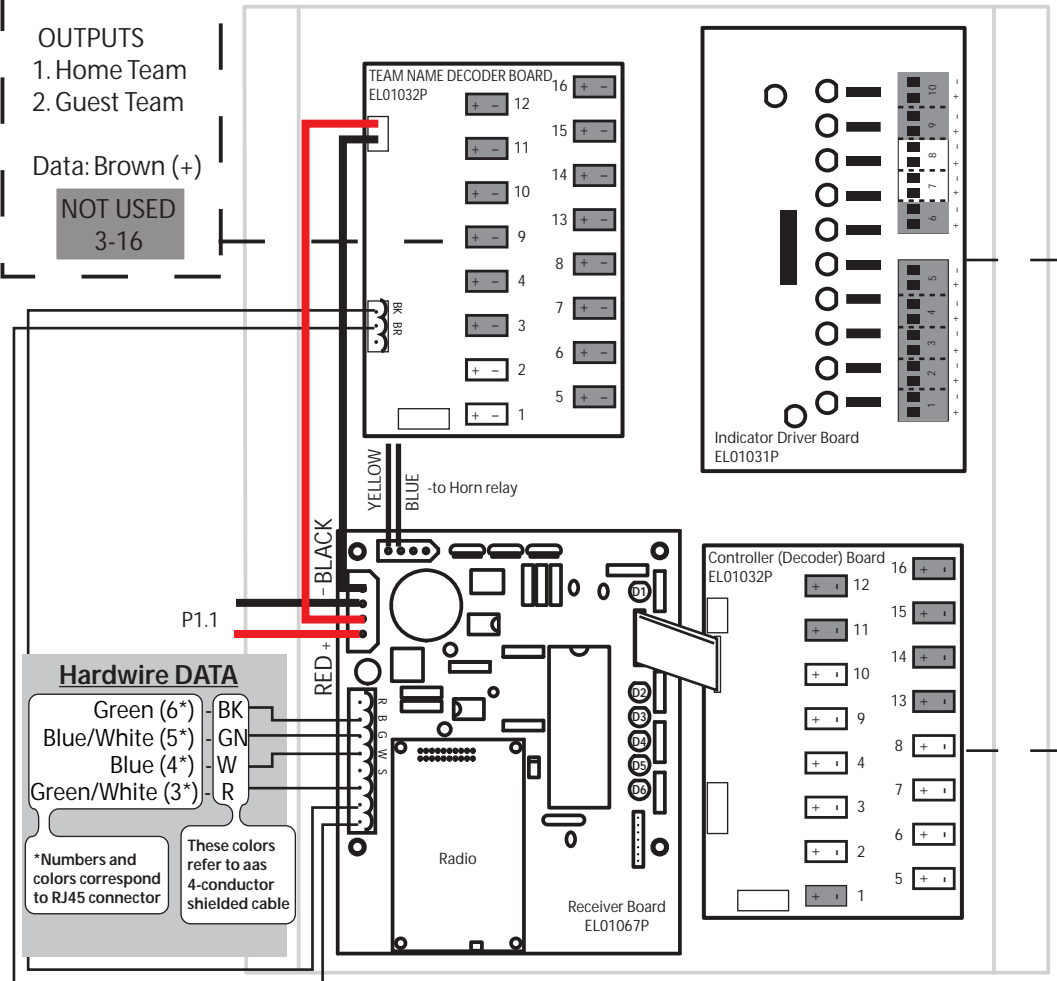
 Data: Brown (+)
 NOT USED 3-16

OUTPUTS
 7. Hit
 8. Error

 NOT USED 1-6,9,10

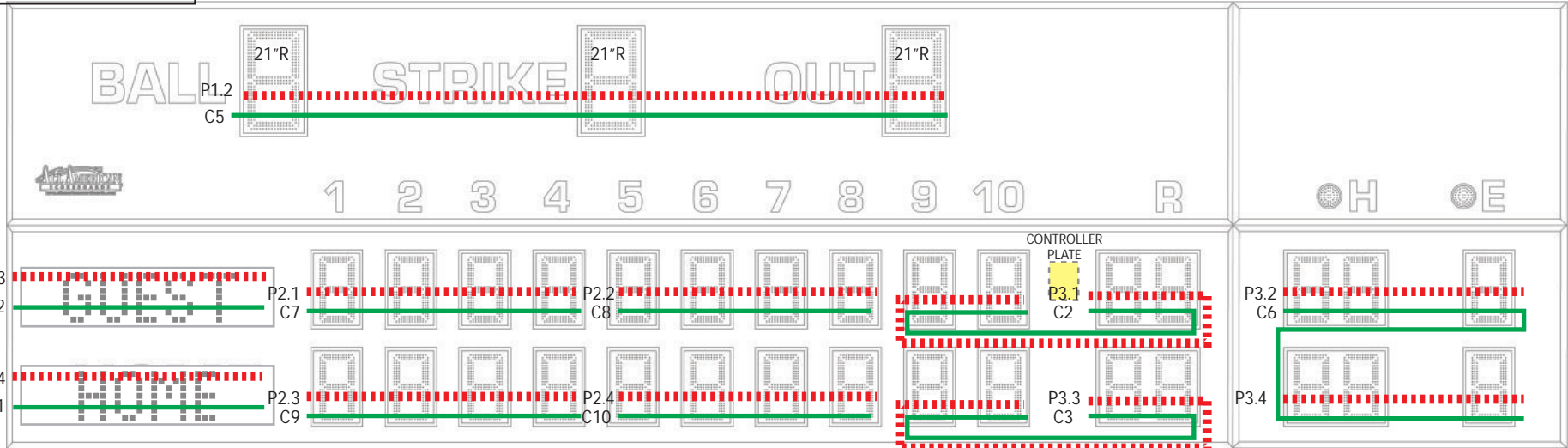
OUTPUTS
 2. Guest Runs, Inn 9,10
 3. Home Runs, Inn 9,10
 4. Indicators, Batter
 5. Ball, Strike, Out
 6. Guest Hits, Errors
 Home Hits Errors
 7. Guest Inn 1-4
 8. Guest Inn 5-8
 9. Home Inn 1-4
 10. Home Inn 5-8

 NOT USED 1,11-16



Hardwire DATA
 Green (6*) BK
 Blue/White (5*) GN
 Blue (4*) W
 Green/White (3*) R

 *Numbers and colors refer to aas 4-conductor shielded cable to RJ45 connector
 These colors refer to aas 4-conductor shielded cable



All Digits in lower panels are 14"Red. — = DATA = 10.5VDC POWER

115 VAC / 60 Hz - 9.0 Amps